

LOWER AND UPPER LANDINGS PLAN VIEW

GC NOTE: ALL CRITICAL SITE CONDITIONS MUST BE VERIFIED IN THE FIELD AFTER THE AREA HAS BEEN PREPARED AND PRIOR TO THE LIFT BEING RELEASED, EXTRA COSTS INCURRED WITH MODIFYING THE UNIT AT THE FACTORY BY THE MANUFACTURER DUE TO CHANGES IN THE SITE CONDITIONS WILL BE THE RESPONSIBILITY OF THE GENERAL CONTRACTOR. TOLERANCES IN FIELD DIMENSIONS ARE +/- 1/8 INCH; NOTIFICATION TO HANDI-LIFT OF ANY VARIATIONS FROM THIS TOLERANCE IS THE RESPONSIBILITY OF THE GENERAL CONTRACTOR.

The information contained in this drawing constitutes the Intellectual Property, including, but not limited to knowledge, trade secrets, and proprietary information which is the exclusive property of Handi-Lift, Inc. All information contained in this drawing is to be held in the strictest confidence by the recipient, and is not to be copied, disclosed to, or transmitted to any third parties without the express written authorization of Handi-Lift, Inc. ©2004 Handi-Lift, Inc.

CODE NOTE  
THIS INSTALLATION SHALL COMPLY WITH THE BUILDING CODE OF THE STATE OF NY, CURRENT EDITION IN EFFECT WITH ICC/ANSI A117.1-1998 AND WITH ASME 18.1A-2001.

REVISION 1	02-25-2009
REVISION 2	02-27-2009
REVISION 3	03-16-2009

HECTOR COLUMBANI P.E.  
370 WEST PLEASANTVILLE VAE., #235  
HACKENSACK, NJ 07601  
NY LICENSE 079267

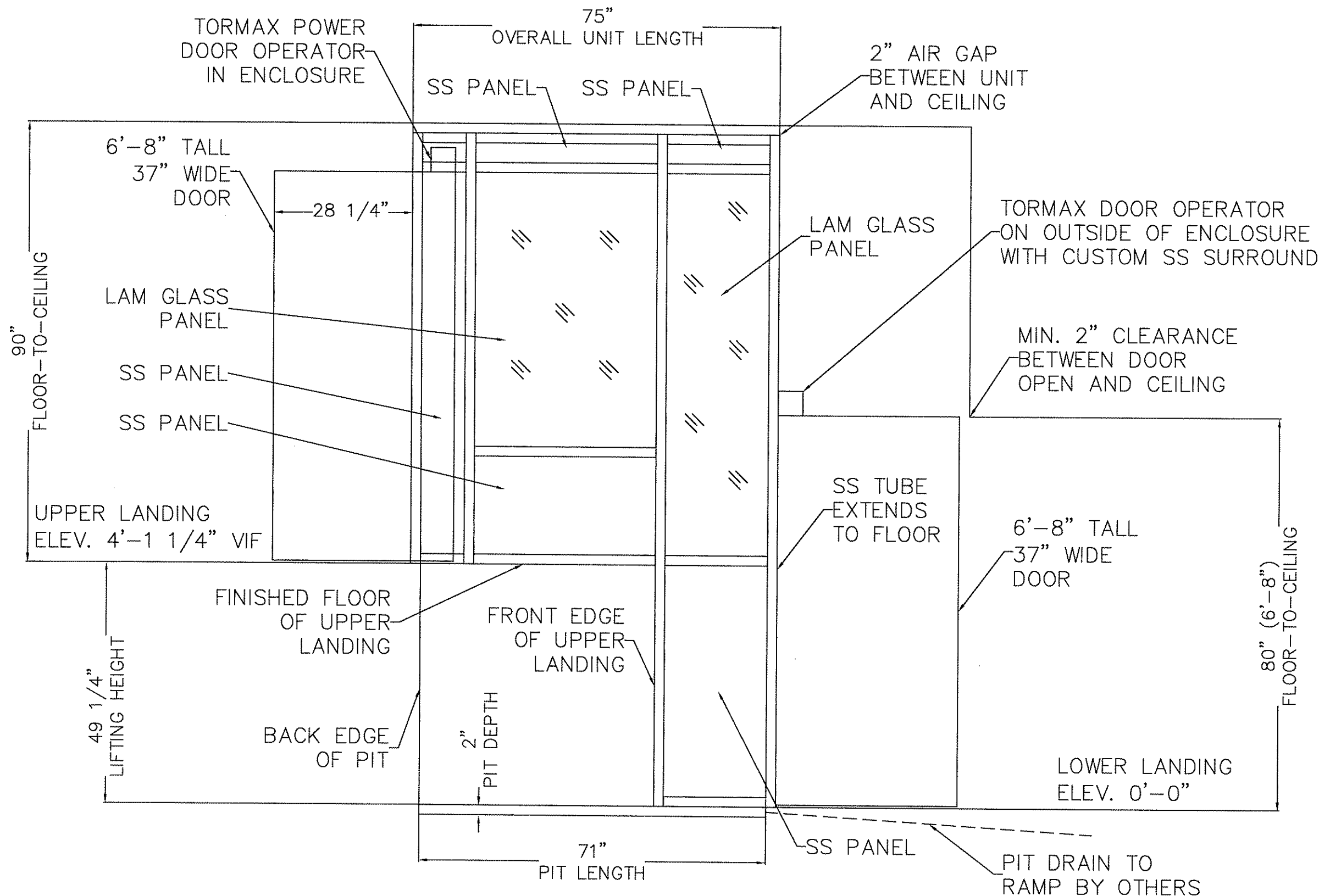
**HANDiLIFT**  
HANDI-LIFT, INC.  
730 GARDEN STREET  
CARLSTADT, NEW JERSEY 07072 U.S.A.  
PH: (800) 432-LIFT FAX: (201) 933-0050  
INTERNET ADDRESS: www.handi-lift.com

DRAWN BY	VL	CHECKED BY	DB
----------	----	------------	----

LOCATION:  
**MTA STATION**  
44TH STREET AND 8TH AVENUE  
NEW YORK, NY

DATE:	PROJECT NO.
01-23-2009	08L04

TYPE OF LIFT:	PAGE NO.
CUSTOM-EN	1 OF 7



ELEVATION VIEW "A" - UPPER AND LOWER LANDINGS

GC NOTE: ALL CRITICAL SITE CONDITIONS MUST BE VERIFIED IN THE FIELD AFTER THE AREA HAS BEEN PREPARED AND PRIOR TO THE LIFT BEING RELEASED, EXTRA COSTS INCURRED WITH MODIFYING THE UNIT AT THE FACTORY BY THE MANUFACTURER DUE TO CHANGES IN THE SITE CONDITIONS WILL BE THE RESPONSIBILITY OF THE GENERAL CONTRACTOR. TOLERANCES IN FIELD DIMENSIONS ARE +/- 1/8 INCH; NOTIFICATION TO HANDI-LIFT OF ANY VARIATIONS FROM THIS TOLERANCE IS THE RESPONSIBILITY OF THE GENERAL CONTRACTOR.

The information contained in this drawing constitutes the Intellectual Property, including, but not limited to knowledge, trade secrets, and proprietary information which is the exclusive property of Handi-Lift, Inc. All information contained in this drawing is to be held in the strictest confidence by the recipient, and is not to be copied, disclosed to, or transmitted to any third parties without the express written authorization of Handi-Lift, Inc. ©2004 Handi-Lift, Inc.

CODE NOTE  
THIS INSTALLATION SHALL COMPLY WITH THE BUILDING CODE OF THE STATE OF NY, CURRENT EDITION IN EFFECT WITH ICC/ANSI A117.1-1998 AND WITH ASME 18.1A-2001.

REVISION 1	02-25-2009
REVISION 2	02-27-2009
REVISION 3	03-16-2009

HECTOR COLUMBANI P.E.  
370 WEST PLEASANTVILLE VAE., #235  
HACKENSACK, NJ 07601  
NY LICENSE 079267

**HANDILIFT**  
HANDI-LIFT, INC.  
730 GARDEN STREET  
CARLSTADT, NEW JERSEY 07072 U.S.A.  
PH: (800) 432-LIFT FAX: (201) 933-0050  
INTERNET ADDRESS: www.handi-lift.com

DRAWN BY	VL	CHECKED BY	DB
----------	----	------------	----

LOCATION:  
MTA STATION  
44TH STREET AND 8TH AVENUE  
NEW YORK, NY

DATE:	PROJECT NO.
01-23-2009	08L04

TYPE OF LIFT:	PAGE NO.
CUSTOM-EN	2 OF 7

GC NOTE: ALL CRITICAL SITE CONDITIONS MUST BE VERIFIED IN THE FIELD AFTER THE AREA HAS BEEN PREPARED AND PRIOR TO THE LIFT BEING RELEASED. EXTRA COSTS INCURRED WITH MODIFYING THE UNIT AT THE FACTORY BY THE MANUFACTURER DUE TO CHANGES IN THE SITE CONDITIONS WILL BE THE RESPONSIBILITY OF THE GENERAL CONTRACTOR. TOLERANCES IN FIELD DIMENSIONS ARE +/- 1/8 INCH; NOTIFICATION TO HANDI-LIFT OF ANY VARIATIONS FROM THIS TOLERANCE IS THE RESPONSIBILITY OF THE GENERAL CONTRACTOR.

The information contained in this drawing constitutes the Intellectual Property, including, but not limited to knowledge, trade secrets, and proprietary information which is the exclusive property of Handi-Lift, Inc. All information contained in this drawing is to be held in the strictest confidence by the recipient, and is not to be copied, disclosed to, or transmitted to any third parties without the express written authorization of Handi-Lift, Inc. ©2004 Handi-Lift, Inc.

CODE NOTE  
THIS INSTALLATION SHALL COMPLY WITH THE BUILDING CODE OF THE STATE OF NY, CURRENT EDITION IN EFFECT WITH ICC/ANSI A117.1-1998 AND WITH ASME 18.1A-2001.

REVISION 1	02-25-2009
REVISION 2	02-27-2009
REVISION 3	03-16-2009

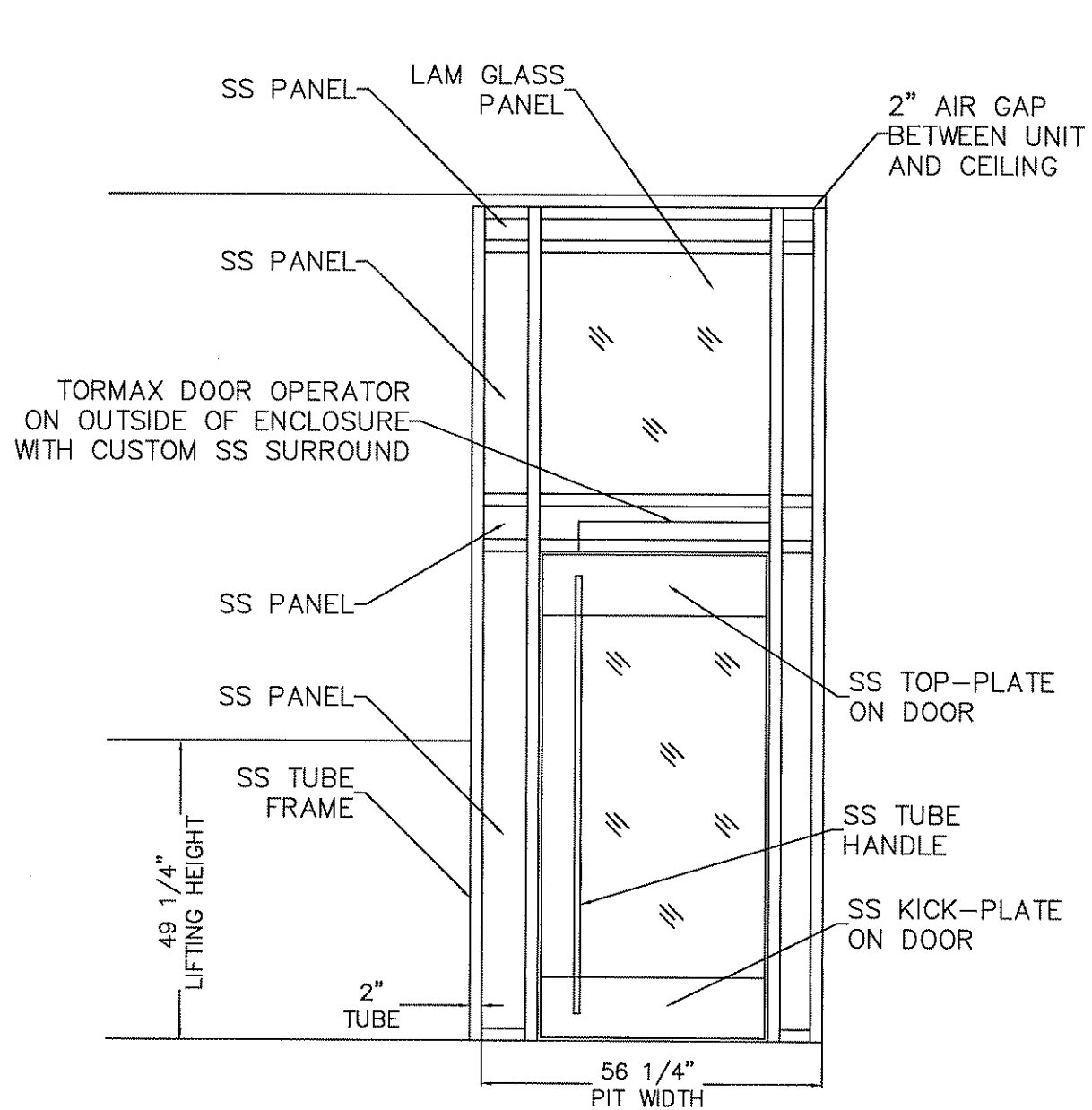
HECTOR COLUMBANI P.E.  
370 WEST PLEASANTVILLE VAE., #235  
HACKENSACK, NJ 07601  
NY LICENSE 079267

**HANDiLIFT**  
HANDI-LIFT, INC.  
730 GARDEN STREET  
CARLSTADT, NEW JERSEY 07072 U.S.A.  
PH: (800) 432-LIFT FAX: (201) 933-0050  
INTERNET ADDRESS: www.handi-lift.com

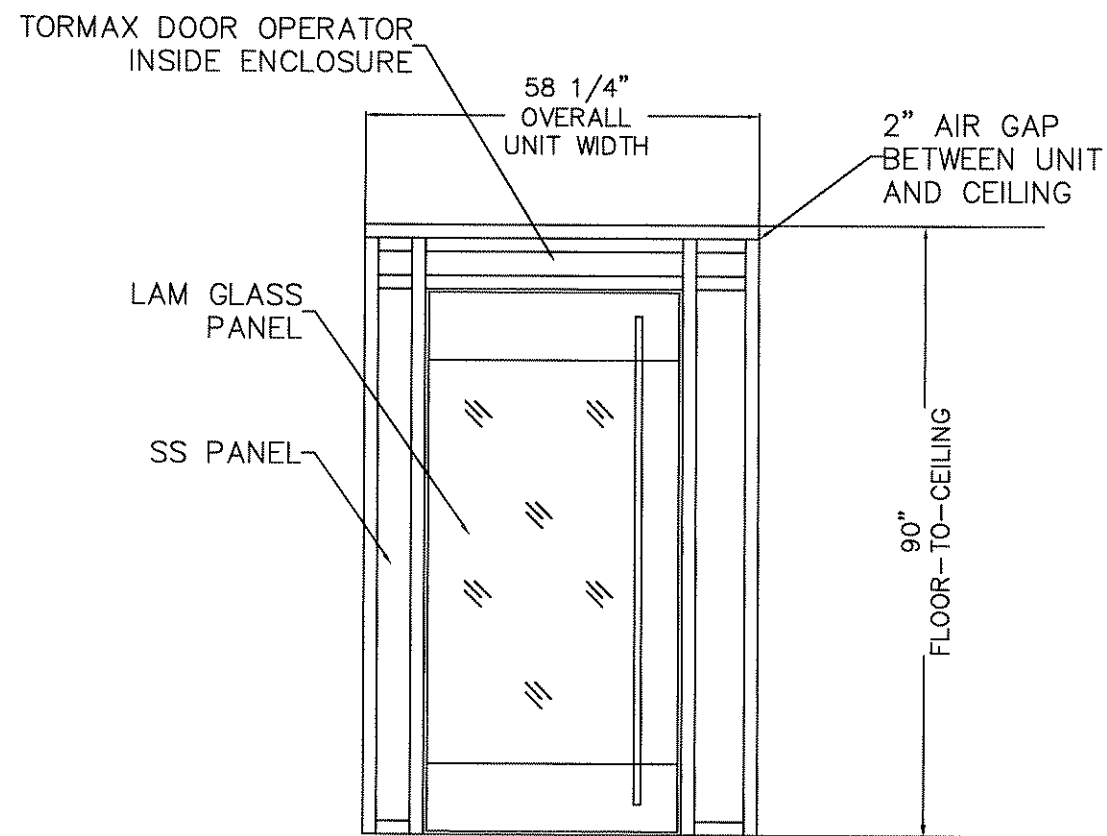
DRAWN BY	VL	CHECKED BY	DB
----------	----	------------	----

LOCATION:  
**MTA STATION**  
44TH STREET AND 8TH AVENUE  
NEW YORK, NY

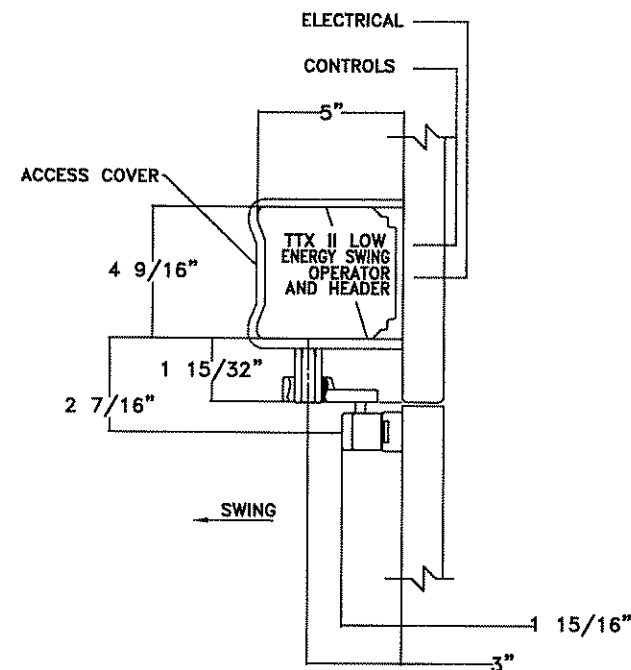
DATE:	PROJECT NO.
01-23-2009	08L04
TYPE OF LIFT:	PAGE NO.
CUSTOM-EN	3 OF 7



ELEVATION VIEW "B" - LOWER LANDING



ELEVATION VIEW "C" - UPPER LANDING



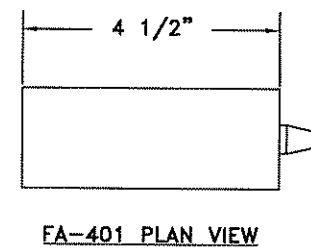
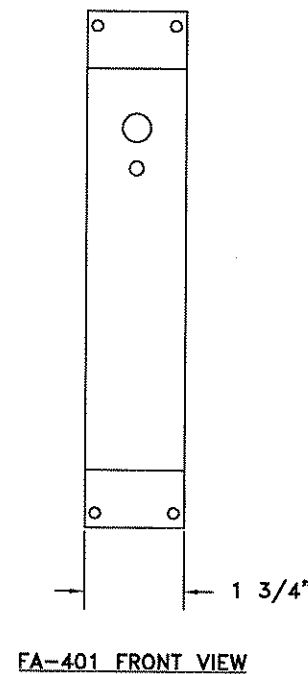
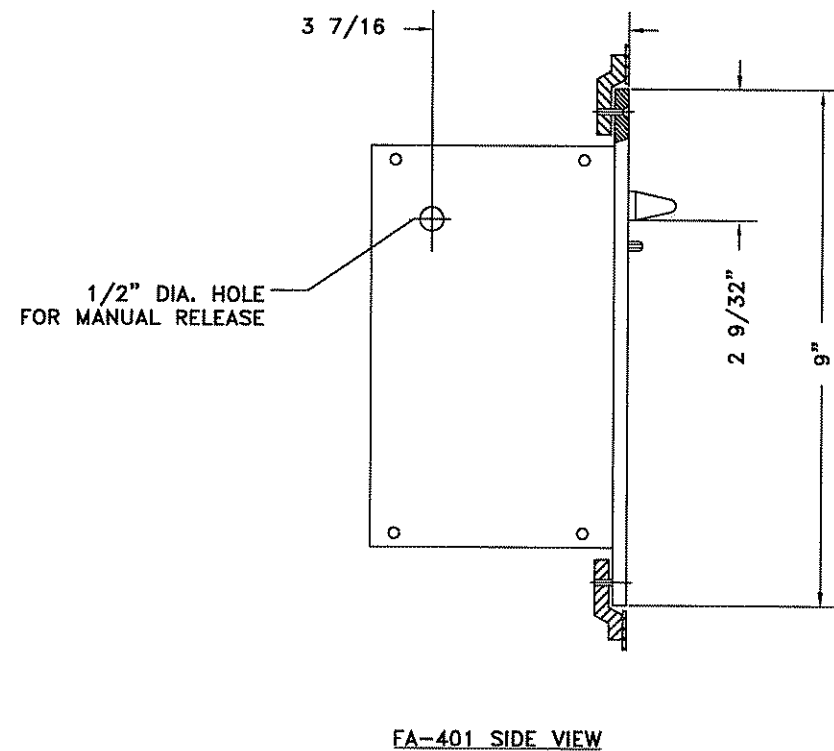
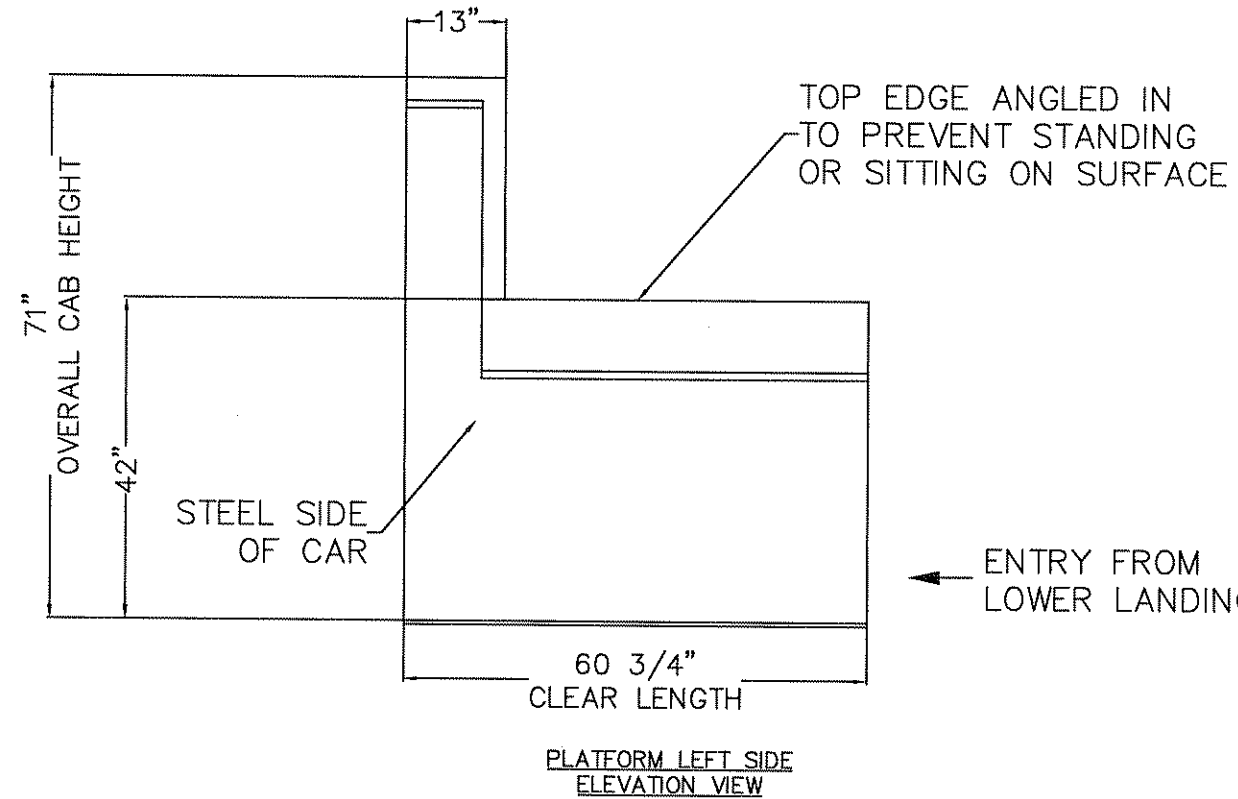
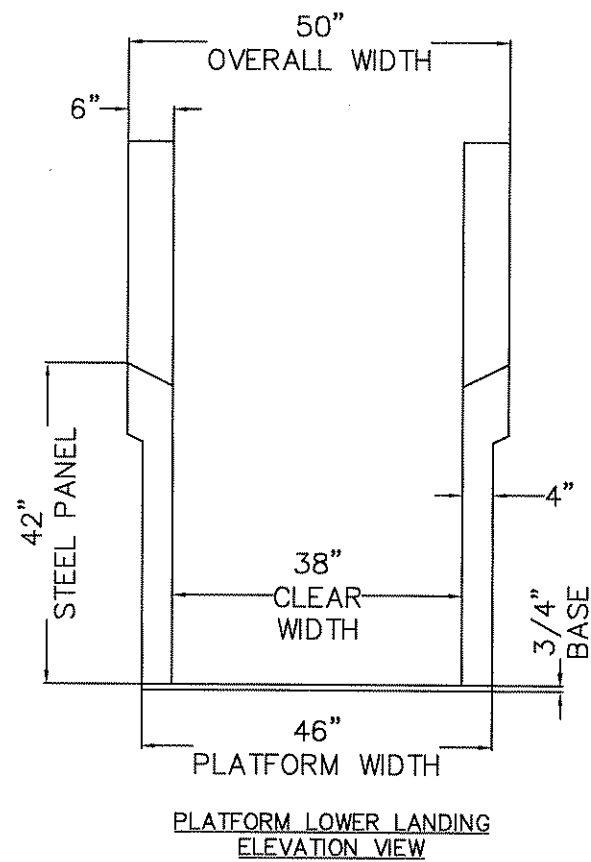
TORMAX - TTX LOW ENERGY SWING DOOR OPERATOR  
SINGLE DOOR, VISIBLE, INSWING, BUTT HUNG, OR  
OFFSET PIVOT APPLICATION - SAMPLE

GC NOTE: ALL CRITICAL SITE CONDITIONS MUST BE VERIFIED IN THE FIELD AFTER THE AREA HAS BEEN PREPARED AND PRIOR TO THE LIFT BEING RELEASED, EXTRA COSTS INCURRED WITH MODIFYING THE UNIT AT THE FACTORY BY THE MANUFACTURER DUE TO CHANGES IN THE SITE CONDITIONS WILL BE THE RESPONSIBILITY OF THE GENERAL CONTRACTOR. TOLERANCES IN FIELD DIMENSIONS ARE +/- 1/8 INCH; NOTIFICATION TO HANDI-LIFT OF ANY VARIATIONS FROM THIS TOLERANCE IS THE RESPONSIBILITY OF THE GENERAL CONTRACTOR.

The information contained in this drawing constitutes the Intellectual Property, including, but not limited to knowledge, trade secrets, and proprietary information which is the exclusive property of Handi-Lift, Inc. All information contained in this drawing is to be held in the strictest confidence by the recipient, and is not to be copied, disclosed to, or transmitted to any third parties without the express written authorization of Handi-Lift, Inc. ©2004 Handi-Lift, Inc.

CODE NOTE  
THIS INSTALLATION SHALL COMPLY WITH THE BUILDING CODE OF THE STATE OF NY, CURRENT EDITION IN EFFECT WITH ICC/ANSI A117.1-1998 AND WITH ASME 18.1A-2001.

REVISION 1	02-25-2009
REVISION 2	02-27-2009
REVISION 3	03-16-2009



FOLGER ADAMS 401 INTERLOCK DETAILS

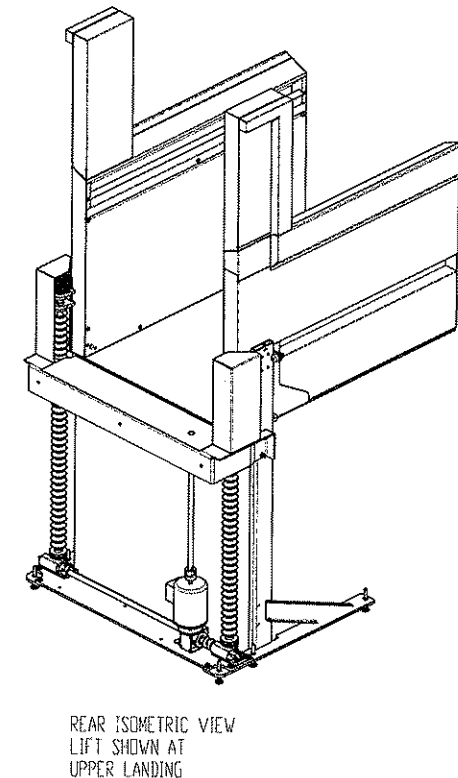
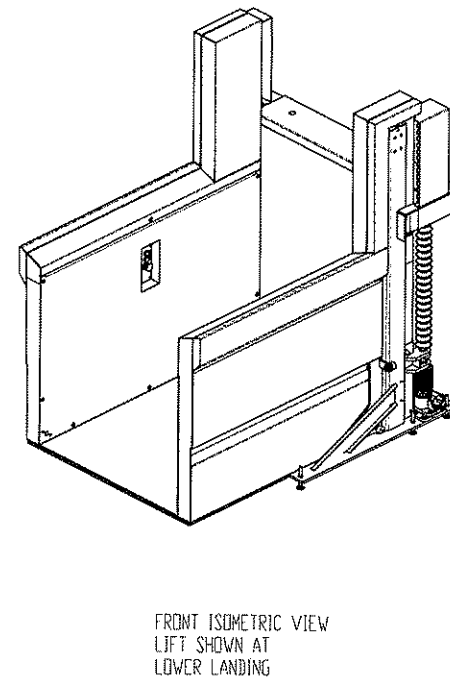
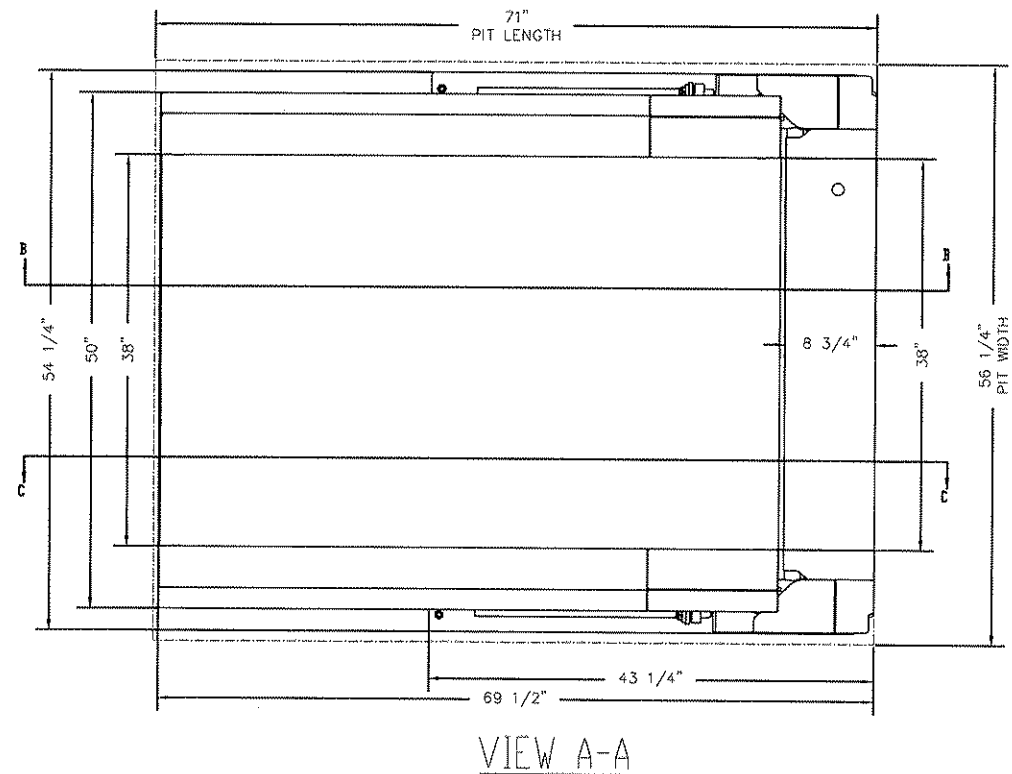
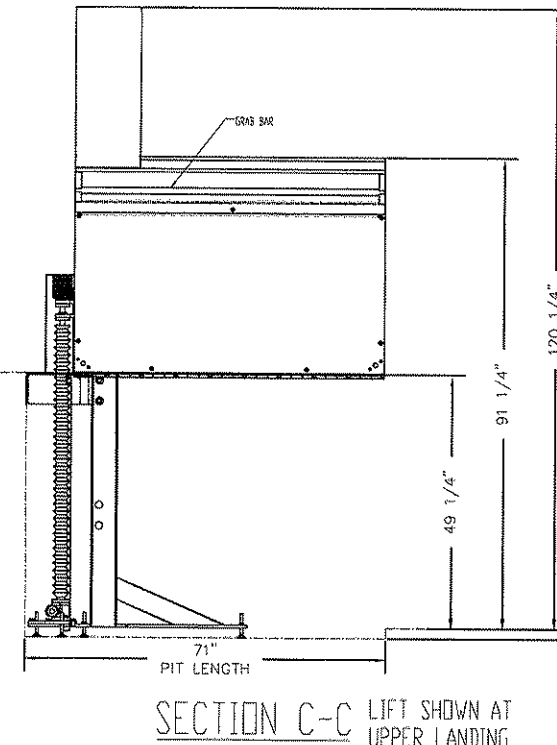
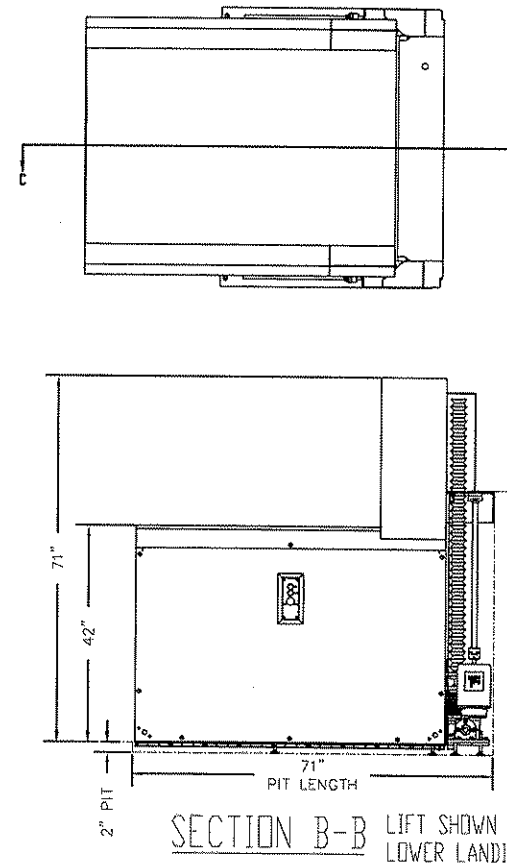
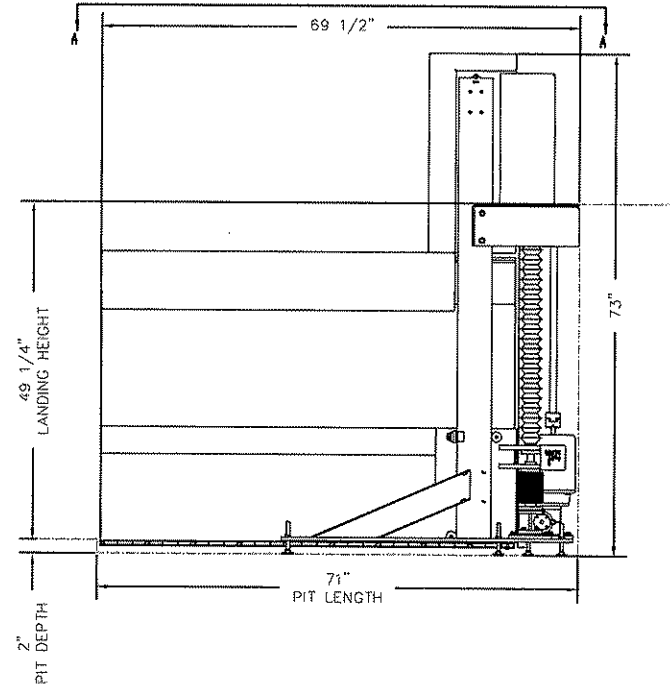
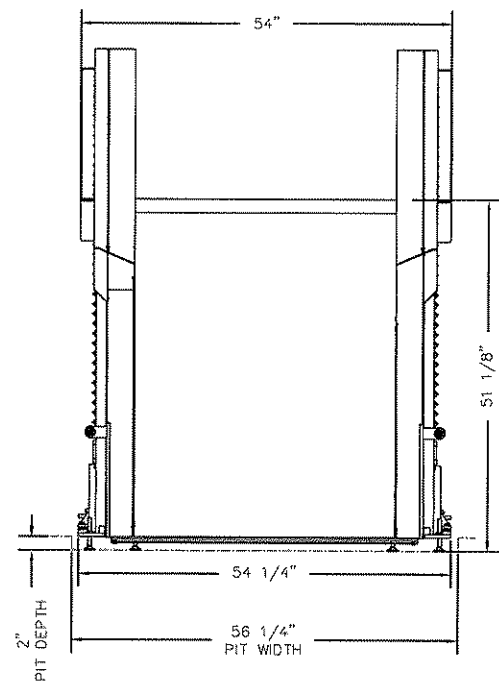
HECTOR COLUMBANI P.E.  
370 WEST PLEASANTVILLE VAE., #235  
HACKENSACK, NJ 07601  
NY LICENSE 079267

**HANDILIFT**  
HANDI-LIFT, INC.  
730 GARDEN STREET  
CARLSTADT, NEW JERSEY 07072 U.S.A.  
PH: (800) 432-LIFT FAX: (201) 933-0050  
INTERNET ADDRESS: www.handi-lift.com

DRAWN BY	VL	CHECKED BY	DB
----------	----	------------	----

LOCATION:  
MTA STATION  
44TH STREET AND 8TH AVENUE  
NEW YORK, NY

DATE:	PROJECT NO.
01-23-2009	08L04
TYPE OF LIFT:	PAGE NO.
CUSTOM-EN	4 OF 7



GC NOTE: ALL CRITICAL SITE CONDITIONS MUST BE VERIFIED IN THE FIELD AFTER THE AREA HAS BEEN PREPARED AND PRIOR TO THE LIFT BEING RELEASED, EXTRA COSTS INCURRED WITH MODIFYING THE UNIT AT THE FACTORY BY THE MANUFACTURER DUE TO CHANGES IN THE SITE CONDITIONS WILL BE THE RESPONSIBILITY OF THE GENERAL CONTRACTOR. TOLERANCES IN FIELD DIMENSIONS ARE +/- 1/8 INCH; NOTIFICATION TO HANDI-LIFT OF ANY VARIATIONS FROM THIS TOLERANCE IS THE RESPONSIBILITY OF THE GENERAL CONTRACTOR.

The information contained in this drawing constitutes the Intellectual Property, including, but not limited to knowledge, trade secrets, and proprietary information which is the exclusive property of Handi-Lift, Inc. All information contained in this drawing is to be held in the strictest confidence by the recipient, and is not to be copied, disclosed to, or transmitted to any third parties without the express written authorization of Handi-Lift, Inc. ©2004 Handi-Lift, Inc.

CODE NOTE  
THIS INSTALLATION SHALL COMPLY WITH THE BUILDING CODE OF THE STATE OF NY, CURRENT EDITION IN EFFECT WITH ICC/ANSI A117.1-1998 AND WITH ASME 18.1A-2001.

REVISION 1	02-25-2009
REVISION 2	02-27-2009
REVISION 3	03-16-2009

HECTOR COLUMBANI P.E.  
370 WEST PLEASANTVILLE VAE., #235  
HACKENSACK, NJ 07601  
NY LICENSE 079267

**HANDILIFT**  
HANDI-LIFT, INC.  
730 GARDEN STREET  
CARLSTADT, NEW JERSEY 07072 U.S.A.  
PH: (800) 432-LIFT FAX: (201) 933-0050  
INTERNET ADDRESS: www.handi-lift.com

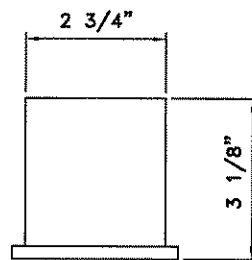
DRAWN BY	VL	CHECKED BY	DB
----------	----	------------	----

LOCATION:  
MTA STATION  
44TH STREET AND 8TH AVENUE  
NEW YORK, NY

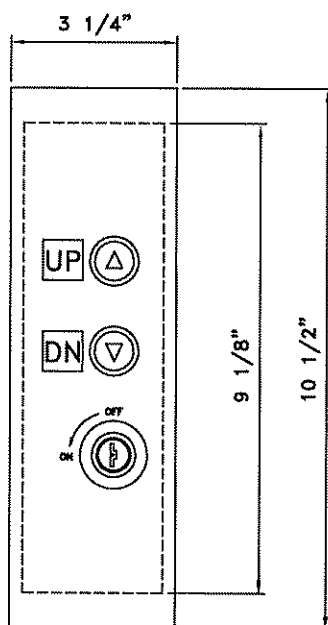
DATE:	PROJECT NO.
01-23-2009	08L04

TYPE OF LIFT:	PAGE NO.
CUSTOM-EN	5 OF 7

# LIFT-U DETAILS

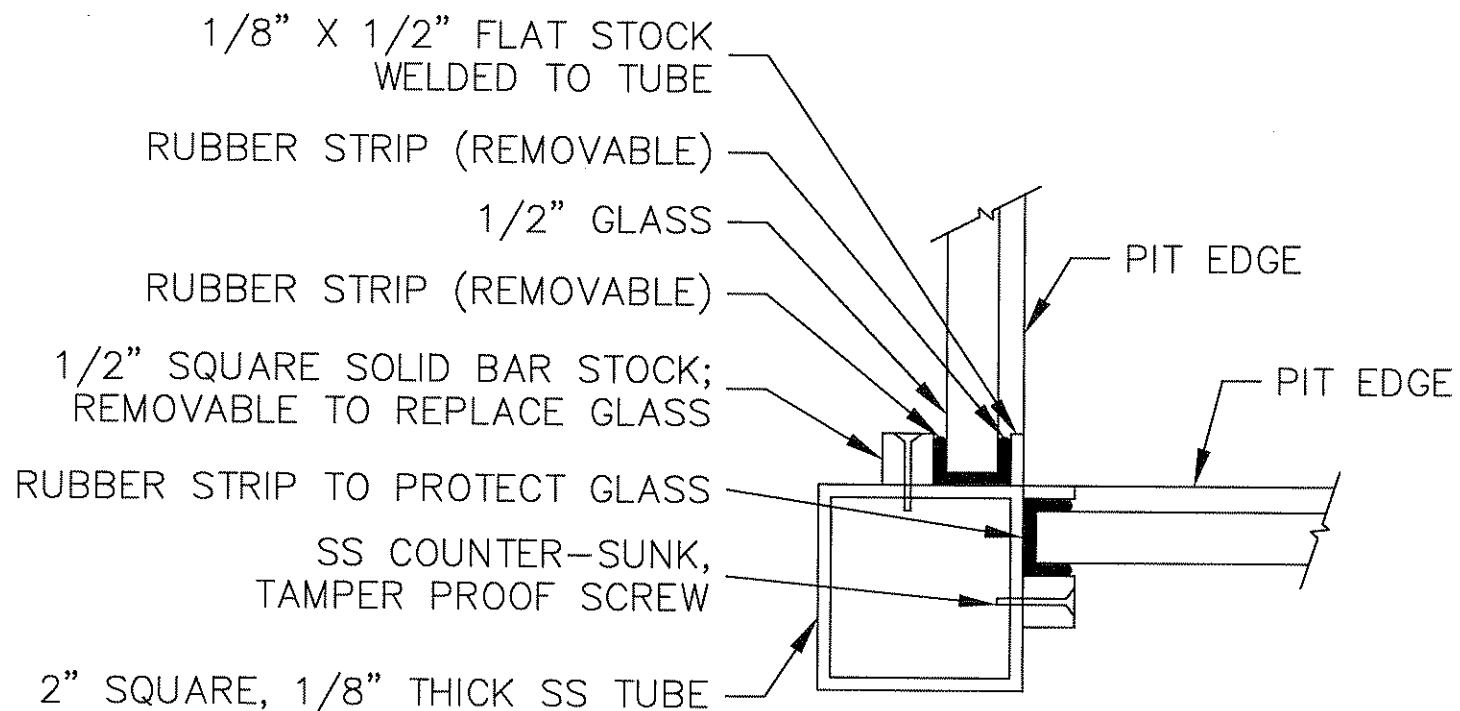


EPCO CALL STATION PLAN VIEW

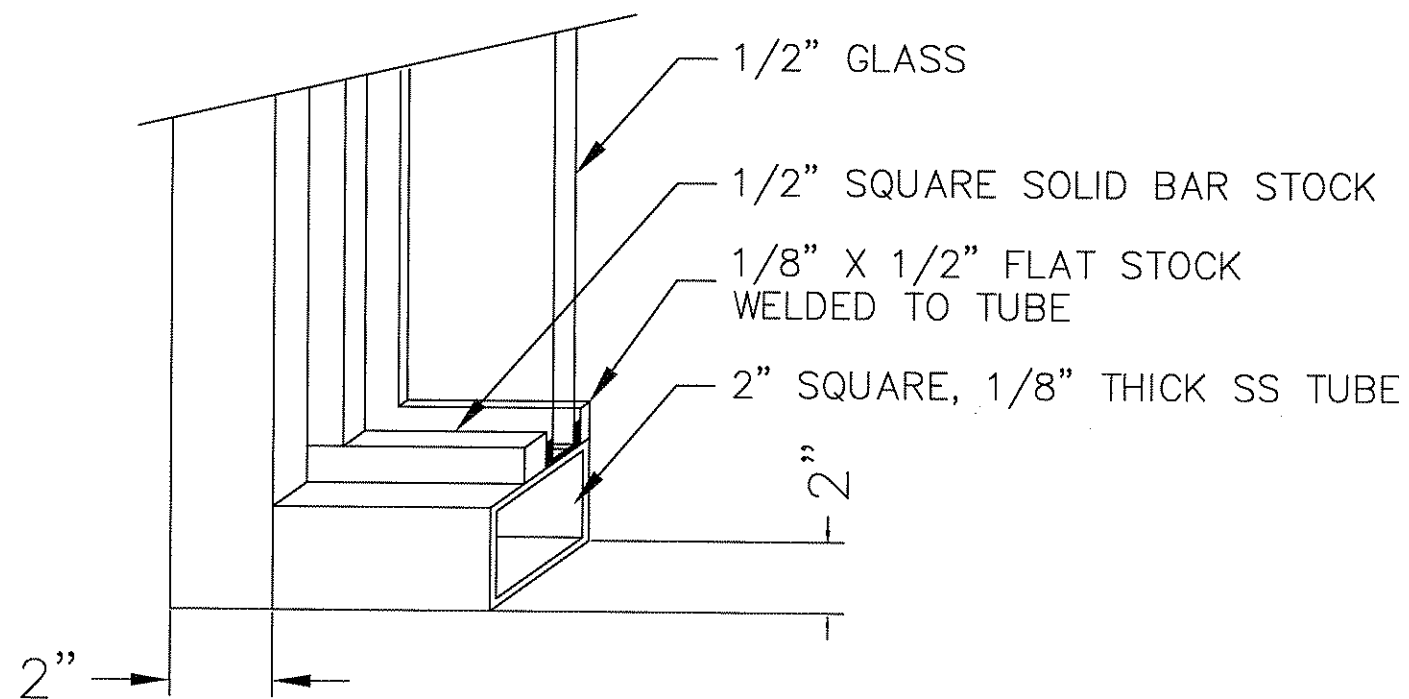


EPCO CALL STATION PLAN VIEW

REMOTE CALL STATION DETAIL  
LOCATIONS TO BE DETERMINED IN FIELD



PLAN VIEW



ISOMETRIC VIEW

ENCLOSURE PANEL AND GLASS ATTACHMENT  
DETAIL TO CORNER POSTS

GC NOTE: ALL CRITICAL SITE CONDITIONS MUST BE VERIFIED IN THE FIELD AFTER THE AREA HAS BEEN PREPARED AND PRIOR TO THE LIFT BEING RELEASED. EXTRA COSTS INCURRED WITH MODIFYING THE UNIT AT THE FACTORY BY THE MANUFACTURER DUE TO CHANGES IN THE SITE CONDITIONS WILL BE THE RESPONSIBILITY OF THE GENERAL CONTRACTOR. TOLERANCES IN FIELD DIMENSIONS ARE +/- 1/8 INCH; NOTIFICATION TO HANDI-LIFT OF ANY VARIATIONS FROM THIS TOLERANCE IS THE RESPONSIBILITY OF THE GENERAL CONTRACTOR.

The information contained in this drawing constitutes the Intellectual Property, including, but not limited to knowledge, trade secrets, and proprietary information which is the exclusive property of Handi-Lift, Inc. All information contained in this drawing is to be held in the strictest confidence by the recipient, and is not to be copied, disclosed to, or transmitted to any third parties without the express written authorization of Handi-Lift, Inc. ©2004 Handi-Lift, Inc.

CODE NOTE  
THIS INSTALLATION SHALL COMPLY WITH THE BUILDING CODE OF THE STATE OF NY, CURRENT EDITION IN EFFECT WITH ICC/ANSI A117.1-1998 AND WITH ASME 18.1A-2001.

REVISION 1	02-25-2009
REVISION 2	02-27-2009
REVISION 3	03-16-2009

HECTOR COLUMBANI P.E.  
370 WEST PLEASANTVILLE VAE., #235  
HACKENSACK, NJ 07601  
NY LICENSE 079267

**HANDILIFT**

HANDI-LIFT, INC.

730 GARDEN STREET  
CARLSTADT, NEW JERSEY 07072 U.S.A.  
PH: (800) 432-LIFT FAX: (201) 933-0050  
INTERNET ADDRESS: www.handi-lift.com

DRAWN BY	VL	CHECKED BY	DB
----------	----	------------	----

LOCATION:  
MTA STATION  
44TH STREET AND 8TH AVENUE  
NEW YORK, NY

DATE:	PROJECT NO.
01-23-2009	08L04

TYPE OF LIFT:	PAGE NO.
CUSTOM-EN	6 OF 7

## SPECIFICATIONS FOR CUSTOM VERTICAL PLATFORM LIFT

### MODEL

MODEL: CUSTOM HEAVY-DUTY VERTICAL PLATFORM LIFT  
 MANUFACTURER: LIFT-U  
 RATED CAPACITY: MAXIMUM 750 LBS OPERATING LOAD  
 LOCATION: INDOOR - PIT MOUNT  
 STOPS: 2  
 FLOOR TO FLOOR: 4'-1 1/4" VIF PLUS 2" PIT  
 TRAVEL SPEED: 10 FPM

### GENERAL

ENCLOSURE TUBING: STAINLESS STEEL TYPE 304 #4 1/8" THICK  
 FINISH: STAINLESS STEEL TYPE 304 #4 PANELA AND LAMINATED GLASS PANELS

### PLATFORM

CLEAR PLATFORM: 38" X 60"  
 ENTRY/EXIT CONFIGURATION: STRAIGHT-THROUGH  
 FEATURES: RECESSED STAINLESS STEEL GRAB RAIL, NON-SKID ALTRO FLOORING

### CONTROLS

PLATFORM: CONTINUOUS PRESSURE, PUSH-BUTTON TYPE WITH ILLUMINATED DIRECTIONAL BUTTONS, ILLUMINATED ROUND (PUSH/PULL) EMERGENCY STOP SWITCH AND AUDIBLE ALARM, KEYLESS OPERATION

### CALL STATIONS

LOWER: STAINLESS STEEL, PUSH-BUTTON FLUSH/WALL MOUNTED, EXACT LOCATION TO BE DETERMINED IN FIELD  
 UPPER: STAINLESS STEEL, PUSH-BUTTON FLUSH/WALL MOUNTED, EXACT LOCATION TO BE DETERMINED IN FIELD

### DOORS

LOWER: 36" WIDE CUSTOM GLASS DOOR WITH FOLGER ADAMS 401 INTERLOCK AND TORMAX POWER DOOR OPERATOR  
 UPPER: 36" WIDE CUSTOM GLASS DOOR WITH FOLGER ADAMS 401 INTERLOCK AND TORMAX POWER DOOR OPERATOR

### DRIVE SYSTEM

DRIVE: TWO (2) ACME SCREW JACKS  
 MOTOR: 2 HP, 3-PHASE  
 POWER SUPPLY: SEE ELECTRICAL NOTES

## GENERAL NOTES:

- (1) A MINIMUM OVERHEAD CLEARANCE OF 6'-8" SHALL BE PROVIDE BETWEEN ANY POINT ON THE PLATFORM AND THE LOWEST OVERHEAD OBSTRUCTION DURING THE ENTIRE DISTANCE OF TRAVEL.
- (2) ANY ALTERATIONS TO THE EQUIPMENT WITHOUT THE WRITTEN AUTHORIZATION BY MANUFACTURER WILL VOID ALL WARRANTIES.
- (3) SITE PREPARATION IS BY OTHERS. CLEARANCES ARE CRITICAL AND STRUCTURE ADJACENT TO LIFT MUST BE SMOOTH, FLUSH AND PLUMB WITH FLOOR. FLOOR MUST BE SMOOTH AND LEVEL TO INSURE PROPER FIT AND OPERATION OF THE LIFT.
- (4) ALL FIELD WORK MUST BE COORDINATED WITH HANDI-LIFT INC. PRIOR TO BEGINNING CONSTRUCTION.
- (5) PIT AND DRAINAGE ON TO RAMP BY OTHERS.

## ELECTRICAL NOTES

- (1) FIELD ELECTRICAL WIRING AND CONNECTIONS TO CALL/SEND CONTROLS, INTERLOCKS AND MACHINE HOUSING TO BE INSTALLED BY HLI. RACEWAYS WITH PULL WIRES BY OTHERS. PIPE CHASES FROM MOTOR TO REMOTE CONTROLLER WITH DISCONNECT BY OTHERS.
- (2) POWER SUPPLY 208-230 VAC, 3-PHASE, 60 HZ, 20 AMP ON DEDICATED CIRCUIT IN CONDUIT TO A LOCKABLE, BREAKERED DISCONNECT MEANS BY OTHERS. ELECTRICAL DISCONNECT PROVIDED AND INSTALLED BY OTHERS. ADDITIONAL 110 PANEL SERVICE (FOR DUPLEX GFI IN PIT) BY OTHERS.
- (3) ALL LIGHTING INCLUDING LIGHT FIXTURES AT TOP OF SHAFT BY OTHERS (NOT LESS THAN FIVE (5) FOOT CANDLES).
- (4) EMERGENCY CONNECTION DEVICES BY OTHERS.
- (5) CONNECTION TO LIFT-NET TO MONITOR POWER AND IN-SERVICE STATUS BY OTHERS.

GC NOTE: ALL CRITICAL SITE CONDITIONS MUST BE VERIFIED IN THE FIELD AFTER THE AREA HAS BEEN PREPARED AND PRIOR TO THE LIFT BEING RELEASED, EXTRA COSTS INCURRED WITH MODIFYING THE UNIT AT THE FACTORY BY THE MANUFACTURER DUE TO CHANGES IN THE SITE CONDITIONS WILL BE THE RESPONSIBILITY OF THE GENERAL CONTRACTOR. TOLERANCES IN FIELD DIMENSIONS ARE +/- 1/8 INCH; NOTIFICATION TO HANDI-LIFT OF ANY VARIATIONS FROM THIS TOLERANCE IS THE RESPONSIBILITY OF THE GENERAL CONTRACTOR.

The information contained in this drawing constitutes the Intellectual Property, including, but not limited to knowledge, trade secrets, and proprietary information which is the exclusive property of Handi-Lift, Inc. All information contained in this drawing is to be held in the strictest confidence by the recipient, and is not to be copied, disclosed to, or transmitted to any third parties without the express written authorization of Handi-Lift, Inc. ©2004 Handi-Lift, Inc.

### CODE NOTE

THIS INSTALLATION SHALL COMPLY WITH THE BUILDING CODE OF THE STATE OF NY, CURRENT EDITION IN EFFECT WITH ICC/ANSI A117.1-1998 AND WITH ASME 18.1A-2001.

REVISION 1	02-25-2009
REVISION 2	02-27-2009
REVISION 3	03-16-2009

HECTOR COLUMBANI P.E.  
 370 WEST PLEASANTVILLE VAE., #235  
 HACKENSACK, NJ 07601  
 NY LICENSE 079267

**HANDILIFT**

HANDI-LIFT, INC.

730 GARDEN STREET  
 CARLSTADT, NEW JERSEY 07072 U.S.A.  
 PH: (800) 432-LIFT FAX: (201) 933-0050  
 INTERNET ADDRESS: www.handi-lift.com

DRAWN BY	VL	CHECKED BY	DB
----------	----	------------	----

LOCATION:

MTA STATION  
 44TH STREET AND 8TH AVENUE  
 NEW YORK, NY

DATE:	PROJECT NO.
01-23-2009	08L04

TYPE OF LIFT:	PAGE NO.
CUSTOM-EN	7 OF 7