

4

3

2

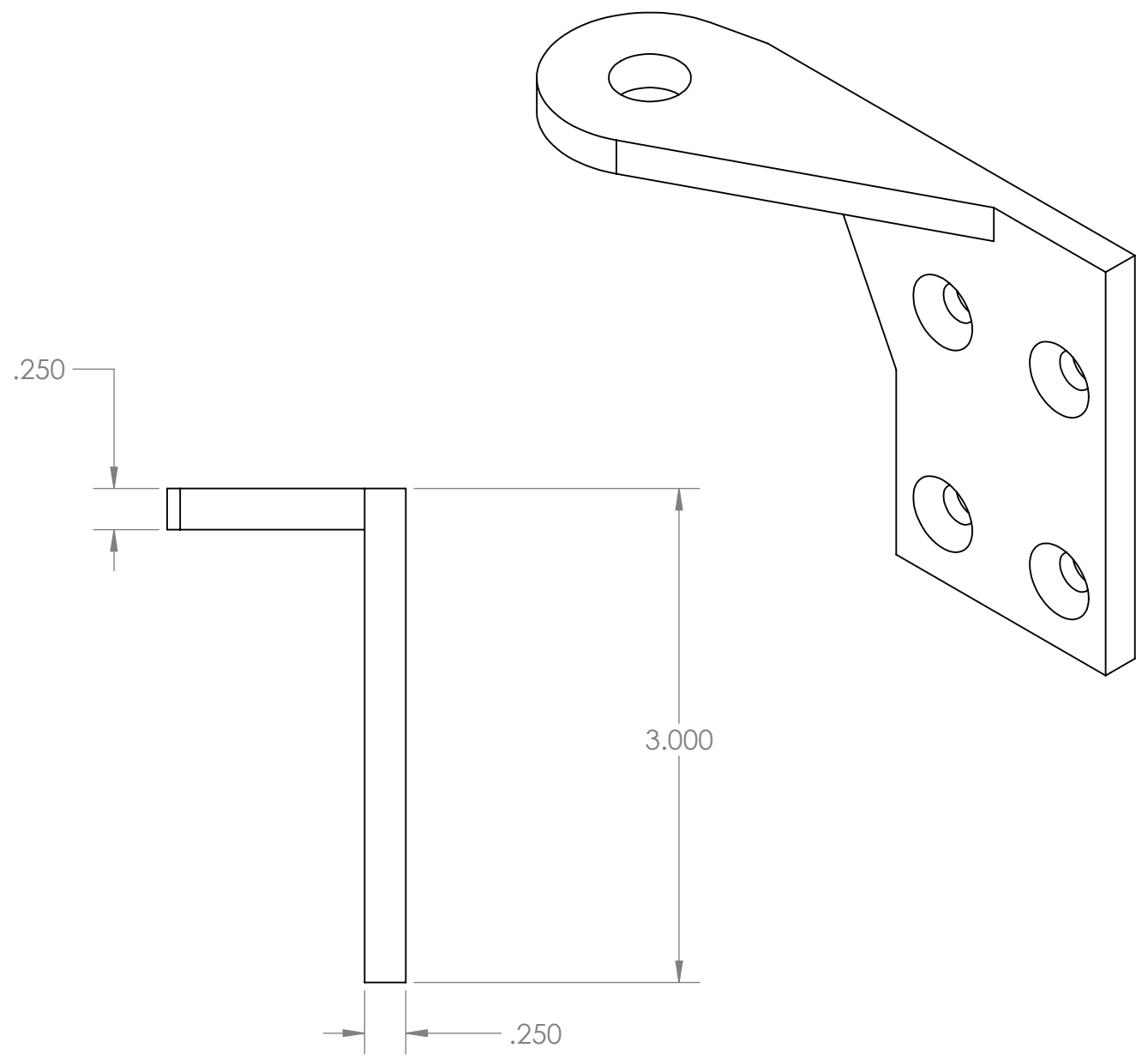
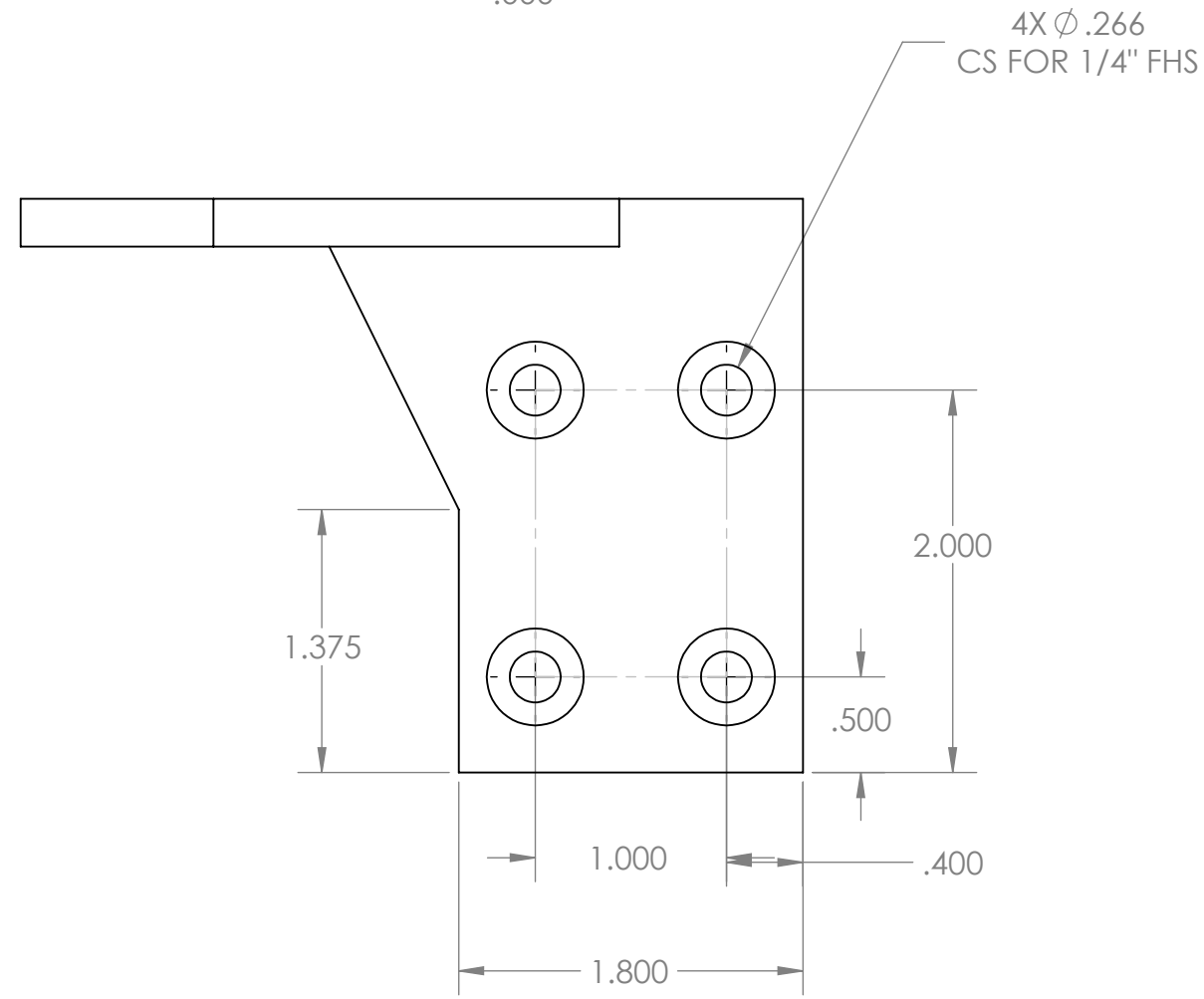
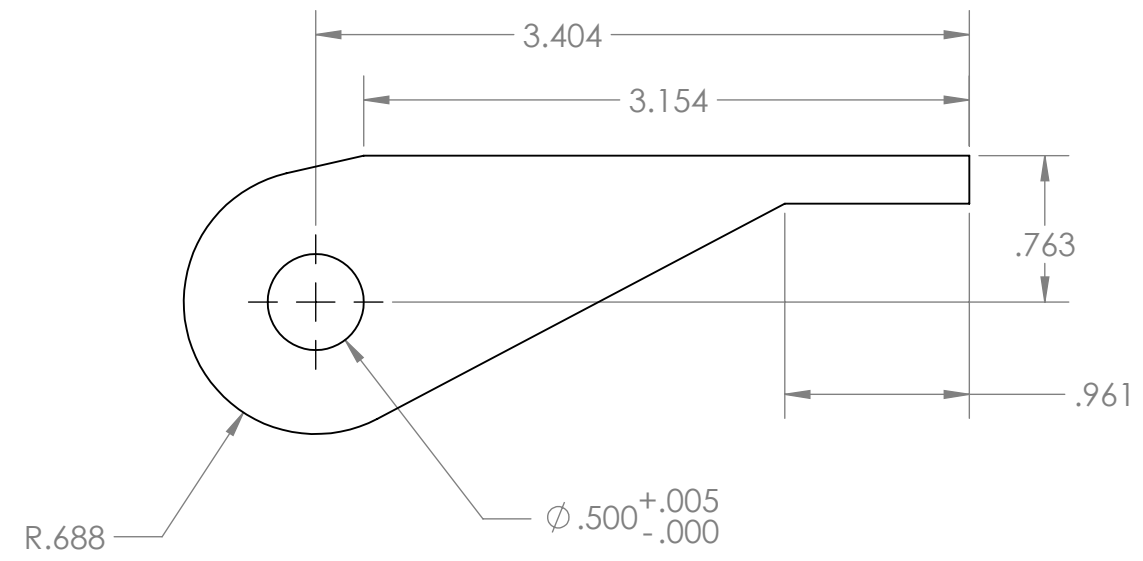
1

B

B

A

A



PROPRIETARY AND CONFIDENTIAL
THE INFORMATION CONTAINED IN THIS DRAWING IS THE SOLE PROPERTY OF HANDI-LIFT. ANY REPRODUCTION IN PART OR AS A WHOLE WITHOUT THE WRITTEN PERMISSION OF HANDI-LIFT IS PROHIBITED.

		UNLESS OTHERWISE SPECIFIED:		NAME	DATE
		DIMENSIONS ARE IN INCHES		DRAWN	JSB 6-11-18
		TOLERANCES:		CHECKED	
		FRACTIONAL \pm		ENG APPR.	
		ANGULAR: MACH \pm BEND \pm		MFG APPR.	
		TWO PLACE DECIMAL \pm		Q.A.	
		THREE PLACE DECIMAL \pm		COMMENTS:	
		INTERPRET GEOMETRIC TOLERANCING PER:		1 PC REQD	
		MATERIAL			
		304 SS			
NEXT ASSY	USED ON	FINISH		SCALE: 1:2 WEIGHT:	
		#4		DWG. NO. B 39-0150	
APPLICATION		DO NOT SCALE DRAWING		REV	
				SHEET 1 OF 1	



TITLE:
LOWER DOOR HINGE

4

3

2

1